

SKIMMER FOR FLOATING-OIL

CNC SPECIAL FOR CNC MACHINE

FEATURE:

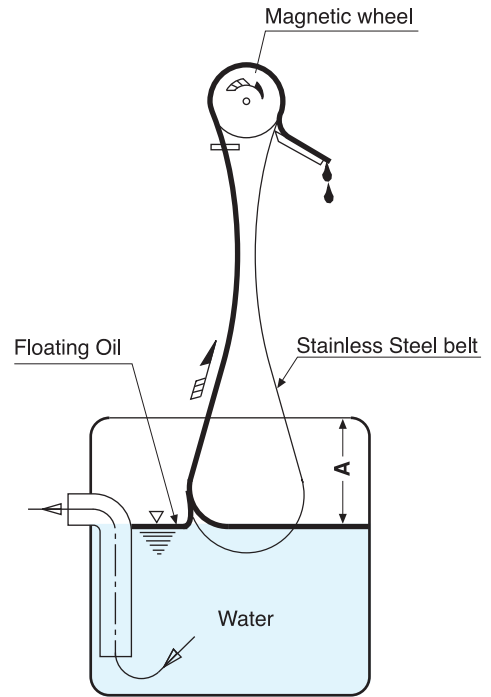
- Stainless steel belt. having excellent water wiping.slipping and water-oil separating.
- Available for sucking oil of 2 μ m thick.
(The visible colorific skimming oil)
- Magnet attached, can be assembled everywhere, either vertical or incline.
- Time control device for 24 house.
- The length of steel belt is designed according to the depth of cutomer's pool.
- No wheel in the water, trouble-less.

MODEL NC-40



ALSO PROVIDING SKIMMER FOR FLOATING-OIL VEGETABLE
RESIDUE SEPARATOR.

SKIMMER FOR FLOATING-OIL



Basic Principle

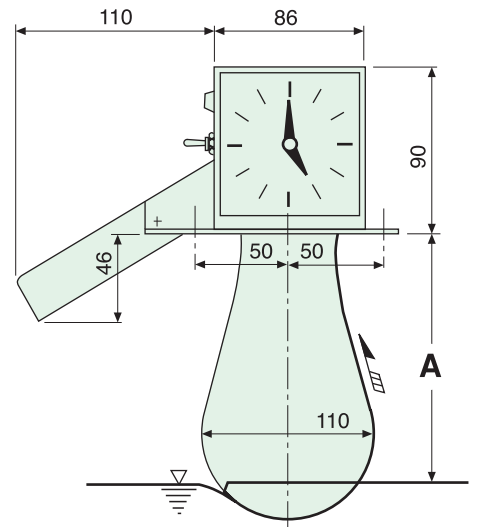
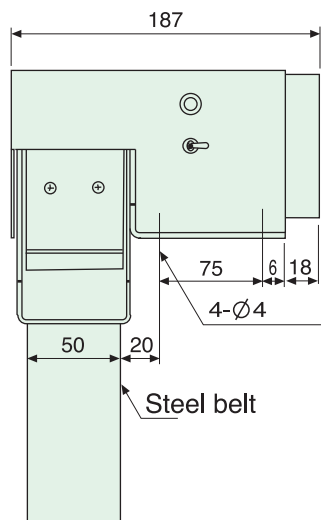
SPECIFICATION:

Steel belt: width 50mm X thick 0.08mm.
 Suction capacity: 1 ℓ / hr
 Power consumption: 5W
 Weight: 2kg

※ Customers provide the dimension "A" in order to design to steel belt length for manufacture .

Optional Accessories:

Simple Separating tank of oil & water.



JENFU MACHINERY CO., LTD.

No. 16-17, Kou-Tsao Lane, Kou-Tsao Li,
 Yueh Lin Chen, Chang Hwa, Taiwan, R.O.C.

AGENT

OILSERVE

บริษัท ออยเซิร์ฟ จำกัด
OILSERVE CO., LTD.

9 ซอยทวีวัฒนา 25 แยก 7 แขวงทวีวัฒนา เขตทวีวัฒนา กรุงเทพฯ ๑๐๑๗๐
 9 Soi Thawi Watthana 25 Yeak 7, Thawi Watthana, Thawi Watthana, Bangkok 10170
 Tel: (+662) 441 9247 Fax : (+662) 441 9248 TAX ID : 0105553015358
 E-mail : sales@oilserve-thai.com, oilserveco@gmail.com, www.oilserve-thai.com